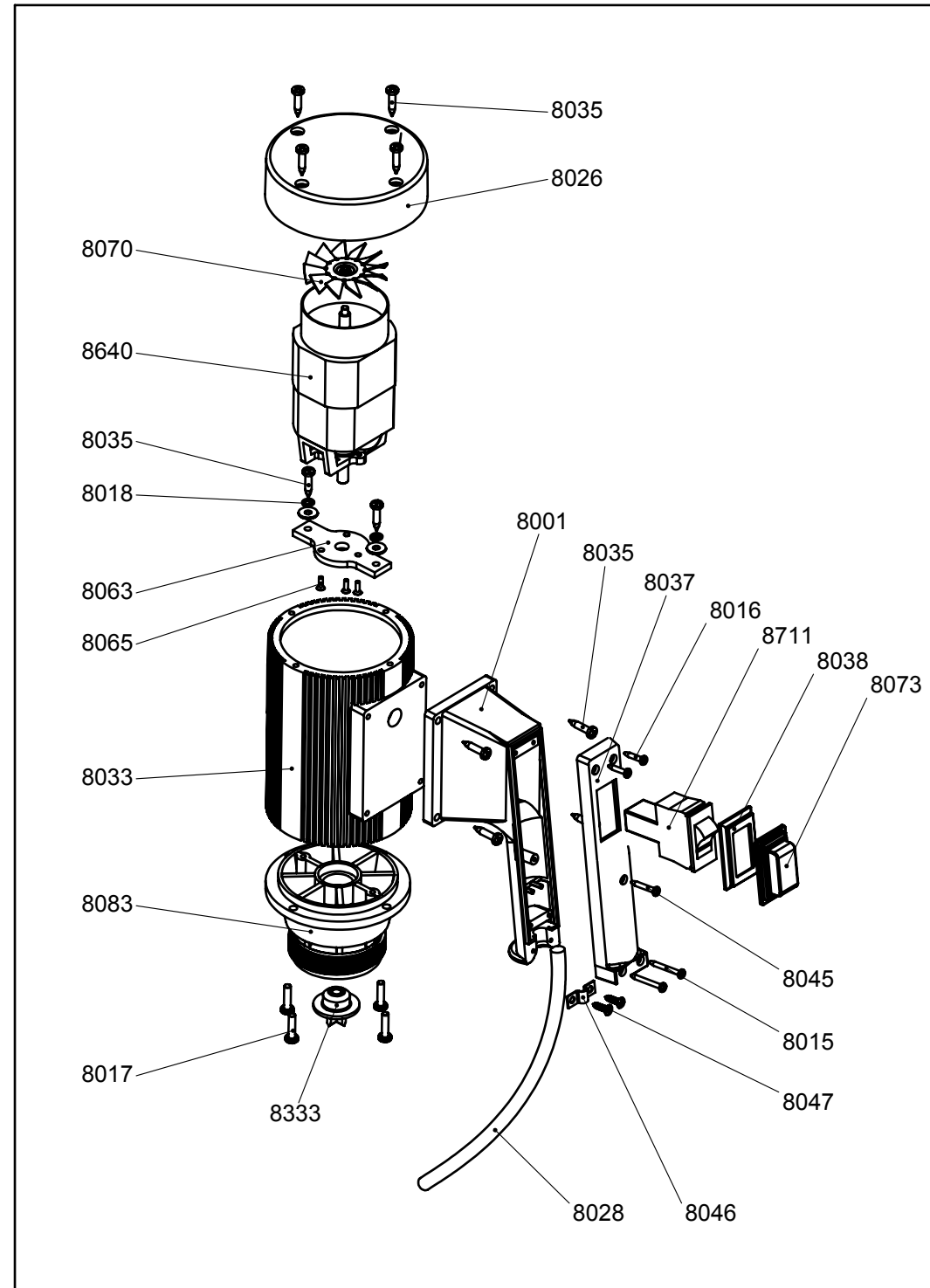


Description	Part No.:	Piece
Handle	8001	1
Screw SS	8015	2
Screw SS	8016	2
Screw SS	8017	4
Lock ring	8018	2
Motor cover	8026	1
Motor housing	8033	1
Screw SS	8035	10
Handle cover	8037	1
Switch frame	8038	1
Cable 5 Mtr.	8039	1
Screw SS	8045	1
Clamp	8046	1
Screw SS	8047	2
Holding plate	8063	1
Screw SS	8065	3
Fan	8070	1
Switch cover	8073	1
Lower housing	8083	1
Coupling	8333	1
Motor 24 V DC	8640	1
Switch 20 A, 24 V DC	8711	1



JESSBERGER
pumps and systems

Dr. Jessberger GmbH
Jägerweg 5 - D-85521 Ottobrunn

fon: +49(0)89/66 66 33 400
fax: +49(0)89/66 66 33 411
info@jesspumpen.de

Benennung

Rev. Stand
State of Art

01.13

Description

Spare parts list JP-164