

OPERATING MANUAL

JP-02 yellow

Hand pump JP-02

The hand pump consists of polypropylene and FKM seals

1. Installation of the telescopic suction tube

Firmly screw the middle piece (17) of the suction tube into the female thread of the lower part of the pump body. After that firmly screw the telescopic suction tube (18-20) into the middle piece. Turn the pump tube in one direction to make sure it is tight and sealed.

2. Installation and Commissioning

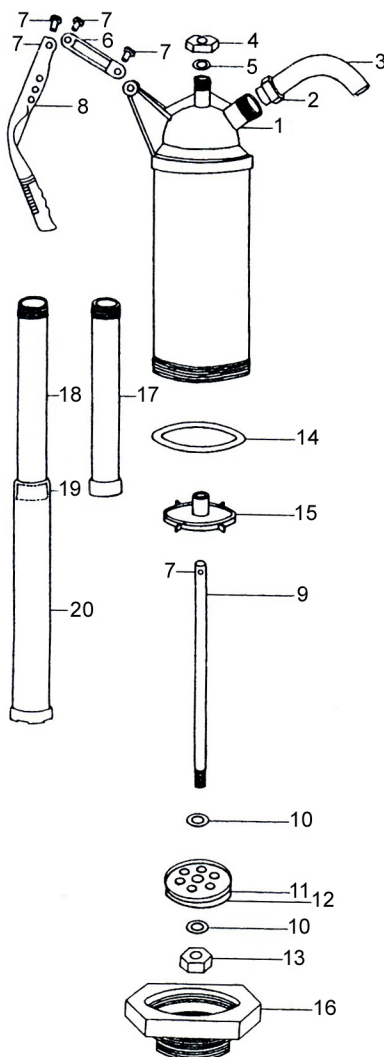
Extend the telescopic suction tube (17-20) to the required length. Fix the pump handle (8) with 2 screws (7) in the required position. There are 3 possibilities: 0,3, 0,37 or 0,45 ltr. flow rate each stroke. Fasten the discharge arc (3) with a wing nut (2). At the lower part of the pump body there are 2 drum threads (G 2" and G 1 1/2").

Connect the pump firmly with the drum. The threads fit for 60/200 liters of steel drums. Various adapters are available for canisters or plastic drums!

The pump can then be put into operation. Push handle several times very fast and very strong up and down to build-up water head. A minimum level of 12 - 15 cm in the container is necessary for the suction process. If liquid comes out at the top of stainless steel pump shaft (9) please adjust screw (4) until it is tight.

The pump is suitable for most fluid liquids especially **for acids, alkaline solutions and water-based chemicals**. Please make sure that polypropylene, stainless steel and FKM are resistant against your medium.

- **Never use this hand operated pump for flammable liquids and solvents or hazard class A I, A II.**
- **Comply to all safety instructions and wear necessary protective clothing (protective, glasses, gloves, apron and possibly boots).**
- **Modifications or attempted repairs made by any third party will not be covered by any guarantee. Especially the lower pump housing (number 16 in sectional drawing) is not allowed to be removed.**



JESSBERGER GmbH

Jaegerweg 5-7
 D-85521 Ottobrunn
 Germany
 Phone: +49 (0) 89 - 66 66 33 400
 Fax: +49 (0) 89 - 66 66 33 411
 info@jesspumpen.de
 www.jesspumpen.de