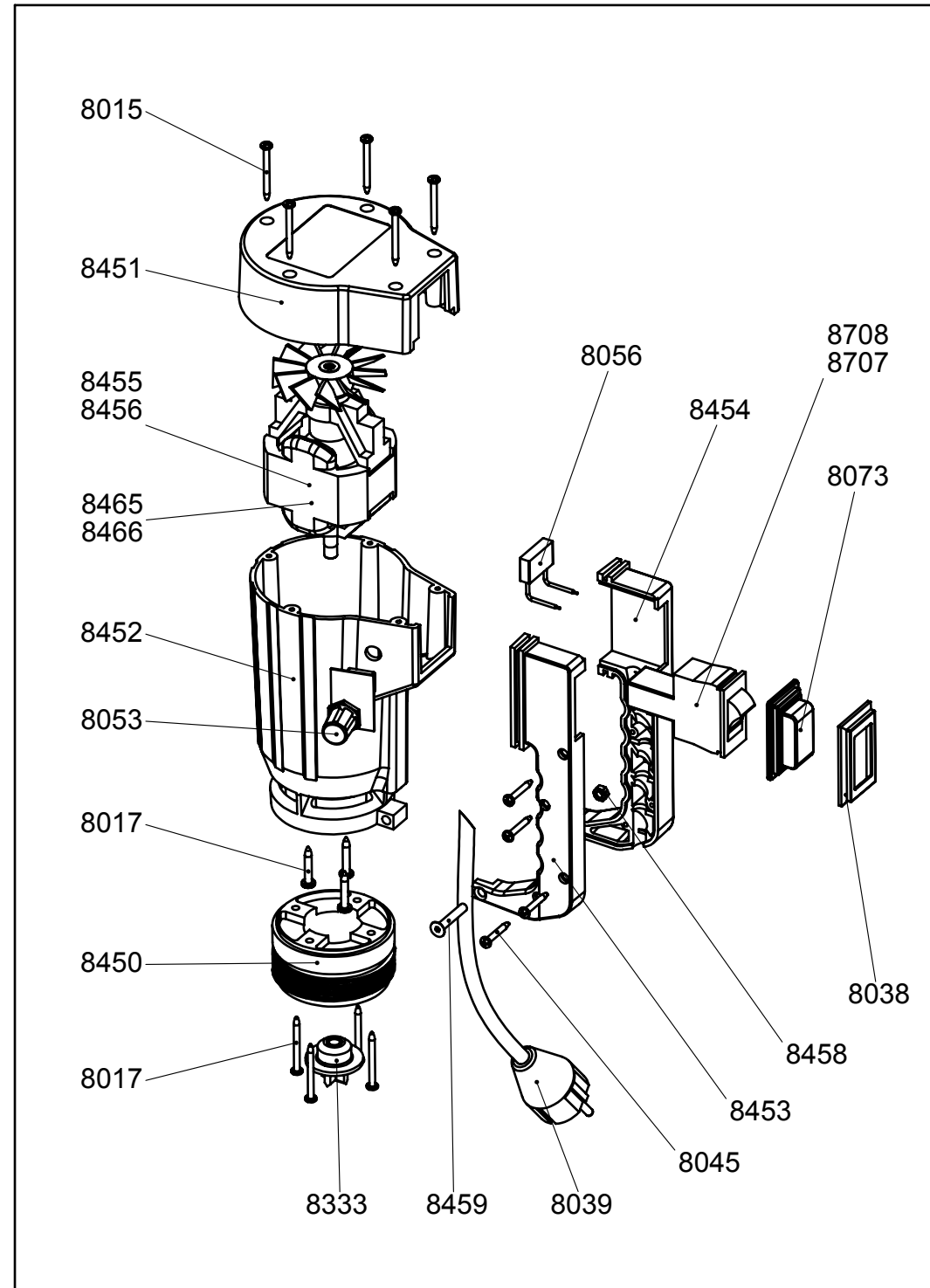


| Description | Part No.: | Piece |
|--------------------------|-----------|-------|
| Screw SS | 8015 | 5 |
| Screw SS | 8017 | 7 |
| Switch frame | 8038 | 1 |
| Cable with plug 5 Mtr. | 8039 | 1 |
| Screw SS | 8045 | 4 |
| Speed control (option) | 8053 | 1 |
| Noise filter | 8056 | 1 |
| Switch cover transparent | 8073 | 1 |
| Coupling | 8333 | 1 |
| Lower housing | 8450 | 1 |
| Motor cover | 8451 | 1 |
| Motor housing | 8452 | 1 |
| Handle left | 8453 | 1 |
| Handle right | 8454 | 1 |
| Motor 250 Watt, 230 Volt | 8455 | 1 |
| Motor 450 Watt, 230 Volt | 8456 | 1 |
| Hexagon nut SS | 8458 | 1 |
| Screw SS | 8459 | 1 |
| Motor 250 Watt, 115 Volt | 8465 | 1 |
| Motor 450 Watt, 115 Volt | 8466 | 1 |
| Switch 5A, 115 Volt | 8707 | 1 |
| Switch 3,5 A, 230 Volt | 8708 | 1 |



JESSBERGER
pumps and systems
Dr. Jessberger GmbH
Jägerweg 5 - D-85521 Ottobrunn
fon: +49(0)89/66 66 33 400
fax: +49(0)89/66 66 33 411
info@jesspumpen.de

Benennung
Ersatzteilliste JP-120 / 140

Description
Spare parts list JP-120 / 140

Rev. Stand
State of Art
02.14